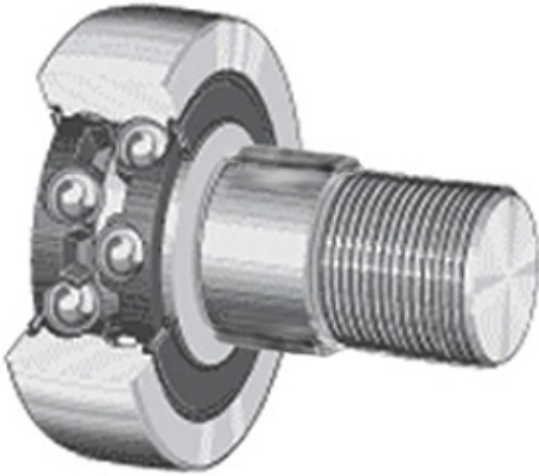




# Barden BEARING LTD

## Osborn Load Runners PLRE-1-1/4 Crowned & Flat Cam Followers Bearings



PLRE-1-1/4 Bearing 2D drawings and 3D CAD models

Bearing No. PLRE-1-1/4

Category	Cam Follower and Track Roller - Stud Type
Inventory	0.0
Manufacturer Name	OSBORN
Minimum Buy Quantity	N/A
Weight	0.182
Product Group	B04120
Roller Surface Profile	Flat
Profile	Stud Type
Thread Size	1/2-20
Stud Profile	Standard Stud with Eccentric Bushing
Enclosure	Sealed
Rolling Element	Ball Bearing - Double Row
Relubricatable	No
Hex Socket	Yes
Inch - Metric	Inch
Other Features	High Alloy Steel Tread
Long Description	1-1/4" Roller Diameter; 27/32" Roller Width; Flat Roller Surface; Stud Type; 1/2" Stud Diameter; 1/2-20 Thread; Standard Stud with Eccentric Bushing; Sealed; Ball Bearing - Double Row;
Category	Cam Followers Stud Type
UNSPSC	31171530
Harmonized Tariff Code	8482.10.50.68



## Barden BEARING LTD

Noun	Bearing
Keyword String	Cam Follower
Manufacturer URL	<a href="http://www.osborn.com">http://www.osborn.com</a>
Manufacturer Item Number	PLRE-1 1/4
Manufacturer Internal Number	97324
Weight / LBS	0.4
Roller Diameter	1.25 Inch   31.75 Millimeter
Roller Width	0.844 Inch   21.438 Millimeter
Stud Diameter	0.5 Inch   12.7 Millimeter